

GAGGIA® FACTORY SUP 020



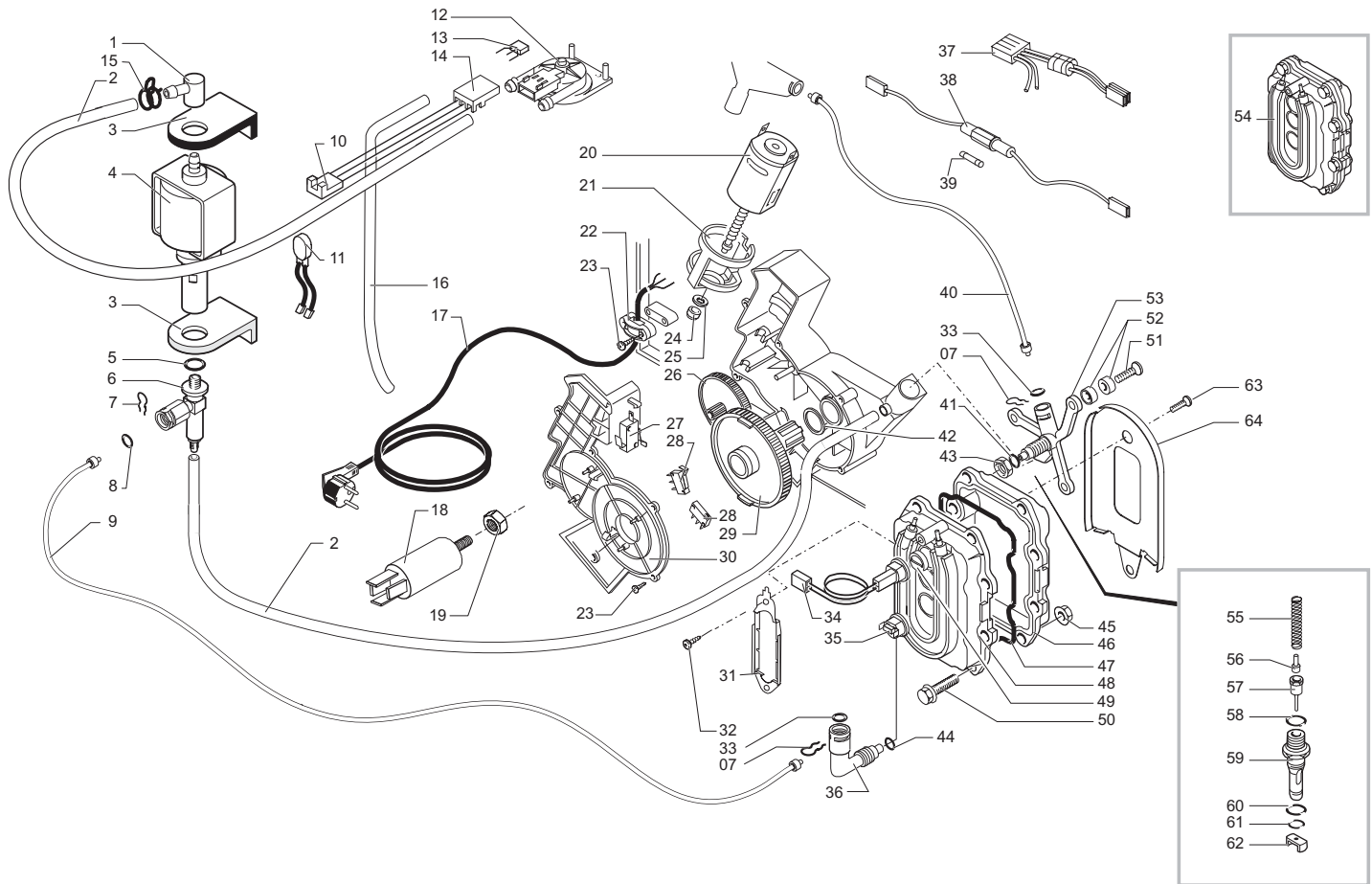
Cod. 7 4 09 07

POS	CODE	DESCRIPTION	NOTE	POS	CODE	DESCRIPTION	NOTE
01	142813480	Transparent-grey water container lid		38	9161.270	Seal for coffee container	
02	222692180	Transparent-grey water container assy		39	281561083	3 Buttons electronic board ass.	230 V
03	144650800	External water tank filter		40	0311.020	Bracket for door closure	
04	140328461	EPDM OR Metric 0019-10		41	142482699	Transparent cap led cover	
05	140324362	Silicone OR Metric 0060-30		42	224884650	Black front panel s/screen Satrap	
06	126764718	Spring for water container valve		43	147716559	Controls selection grey knob	
07	147660562	Grey piston for water valve		44	223700550	Black coffee dispenser	
08	165895805	Instructions manual Factory Sinchry Logic		45	222482250	Black casing ass. spares	
09	127390100	Brush for cleaning		46	228982141	Door painted silver	
10	142660259	Brew unit grey phase key		47	145743250	Black grate	
11	175896900	Double upper techmate insert		48	229630741	Drip tray painted silver	
12	175897000	Double lower techmate insert		49	9991.105	Magnet D.9 mm	
13	178513900	Display box Factory Synchrony Logic		50	147622850	Black foot	
14	142844059	Grey valve gasket cover		51	145500211	Red float	
15	145842900	Water cont. valve seal gaco dim 14		52	129660202	3x12 Panelvit TCB screw DIN 7505	ZNP
16	NE03.028	Molveno switch		53	175896300	388x413x17 Polystyrene insert	
17	129535721	TSP 3,5x9,5 Screw DIN 7982 SS		54	123591920	D=7,9 H=1,8 Brass spacer	
18	149185359	Grey valve seal support		55	146680159	Grey/7016 coffee measure	
19	NM02.004	OR ORM 0080-20 EPDM					
20	227751308	Chromed cups protection					
21	222762341	Ground coffee doser silver lid					
22	149260759	Grey hopper ground coffe	ZNP				
23	129670202	3,5x16 Panelvit TCB screw					
24	222813041	Silver silk/screen cover					
25	129660902	3,5x12 Panelvit TCB screw	ZNP				
26	142602050	Black dump box					
27	145894700	Rotating ring retaining insert					
28	147622150	Black foot for revolving ring					
29	220380159	Grey/black rotating ring assy	with pos. 28				
30	142813680	Transp/grey coffee bean container lid					
31	9141.051.490	Grinding adjustment knob					
32	129517103	3,5x38,1 Screw TCB DIN 7981	NIK				
33	142713680	Grey bean container	reg. dose				
34	U109.029	3,5x32 TCB screw DIN 7981 C	NIK				
35	147715659	Coffee dose adjustment knob					
36	146001850	Black coffee dose adjustment gear					
37	146000850	Gear coffee grinder adjustment					

GAGGIA® FACTORY SUP 020

Rev. 00 - 24/07/03

TABLE 1/3



GAGGIA® FACTORY SUP 020



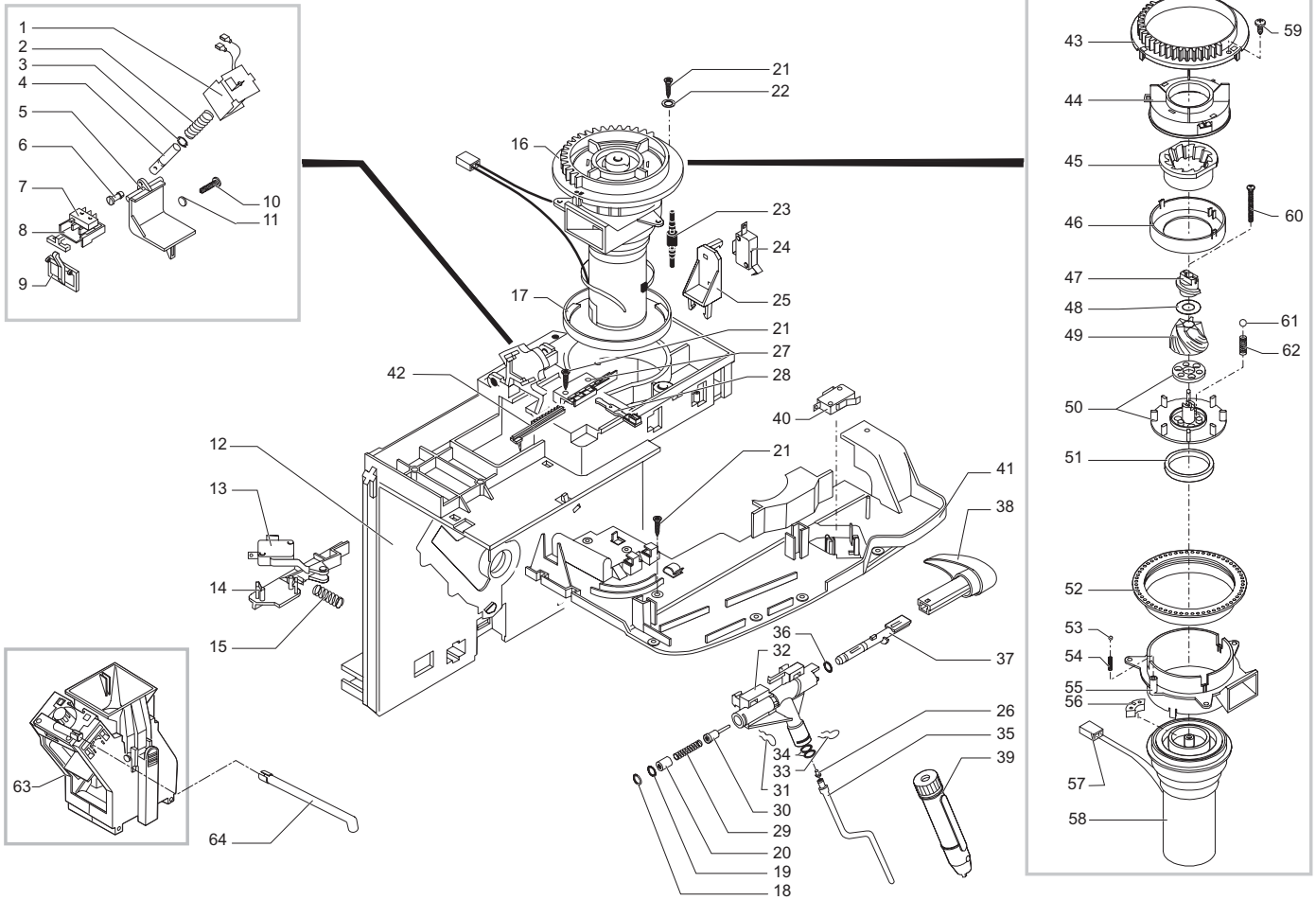
Cod. 7 4 09 07

POS	CODE	DESCRIPTION	NOTE	POS	CODE	DESCRIPTION	NOTE
01	9991.084	90° Rubber connector		38	183361362	Cable blue silicone + thermal 6,3 A	
02	149360200	5x8 70SR Silicone tube in roll		39	327002200	Delayed fuse T6,3 A 5x20	
03	149185850	Eaton pump support		40	227872000	2x4 Teflon connector ass.	L = 440mm
04	187720958	Ulka pump 2 EX5	230 Volt	41	140321462	OR 2018	Silicone
05	140321961	OR 2031	EPDM	42	9161.132	Mylar washer for ratiomotor	
06	229451300	D=8 Safety valve ass.		43	123390420	Nut 1/8 gas H=4.5 CH=13	Brass
07	9011.144	Fork for tube D.4		44	140321462	OR 2018 IN SILICONE	Silicone
08	NM02.028	OR 2015	EPDM FDA	45	123270102	M6 Nut flanged toothed base	ZNK
09	227871900	2x4 Connector ass. teflon	L = 250 mm	46		Particular not available	see pos.20
10	283550700	JP4 3 Poles turbine connet. ass.	230 Volt	47	9011.129	Boiler seal	
11	289202100	120°C Thermal. protector cable		48		Particular not available	see pos.54
12	286473300	"M"VDE turbine kit with sensor	con pos.13	49	123591222	Alu. spacer for sensor	
13		Particular not available	see pos.12	50	U046.004	TEFZ M 6,0x26 galv. screw	
14	9161.018	Turbine fork		51	U044.017	TSPC M5,0x20 UNI 7688 galv. screw	ZNP
15	184320200	D=9,5 mm spring hose clamp		52	9161.206	Insulating spacer for boiler	
16	149361100	5x10 60SR Silicone tube	In roll	53	9011.126	Alu.boiler support brass	
17	283910250	Black power cable schuko + toroide	L = 1500 mm	54	282058158	An/aluminium boiler ass. 230V	230V for spares
18	184651100	Antidisturb filter		55	9011.132	Spring for pin	
19	123453602	Flange nut M8 toothed base		56	127471620	Brass pin for boiler	
20	286891758	General ass. motor 230V for ratiomotor	con pos 21, 37	57	227660100	Piston ass. w/groove w/seal viton	
21	9121.044	Antivibration for motor		58	140320459	OR Metric 0080-20	Silicone PTFE/FDA
22	148600600	Cable clamp		59	147471700	Pin for boiler valve	
23	129670202	Panelvit TCB screw 3,5x16 Testa D=8	ZNP	60	NM01.035	OR ORM 0090-20	Silicone
24	9121.046	Sintered bush for motor		61	NM01.057	OR ORM 0050-20	Silicone
25	148380200	Washer bakeliz. D=5,5		62	145893000	Cursor insert boiler valve	
26	146000759	Gear 12/90 for ratiomotor		63	129740103	TSPC PH/SW 5x10 UNI 8113 NICK screw	
27	NE05.042	Microswitch		64	129024602	Guard bracket heat elem. boiler	
28	NE05.038	Microswitch					
29	9121.068.150	Gear Z.108 for mounting plate			289435100	General turbine ass.	
30	9161.200.920	Lid for ratiomotor					
31	126836517	Steel spring retainer 3 thermostat					
32	129575403	M5x10 Screw tapt DIN 7500C	NIK				
33	140328059	OR 2015 in silicone PTFE/FDA	Silicone PTFE/FDA				
34	288581358	Sensor ass.	230 Volt				
35	189428200	175° Thermostat					
36	127914020	BRASS 90 DEG FIT.1/8 gas master					
37		Particular not available	see pos.20				

GAGGIA® FACTORY SUP 020

Rev. 00 - 24/07/03

TAVOLA 2/3



GAGGIA® FACTORY SUP 020



Cod. 7 4 09 07

POS	CODE	DESCRIPTION	NOTE	POS	CODE	DESCRIPTION	NOTE
01	283770758	V2 Coffee doser coil ass. 230V		38	227721159	Steam dispenser grey knob	
02	126764818	Spring electromagnetic bean doser		39	147430150	Pannarello as. black plastic	
03	U701.003	Snap ring 7 UNI 7434		40	186723200	Microswitch saia	
04	9161.041	Doser electromagnet core		41	149192900	Front panel support	
05	9161.074.150	Doser grey door		42	148740450	Toothed slide for dose adjust gear	
06	9161.076.150	Doser grey door pin		43	148650250	Grinding adjustment sector	
07	186701200	Microswitch SAIA XCC5-81		44	149186150	Upper grinder black support	
08	149185959	Bean doser micro support		45		Particular not available	See pos. 49
09	148700559	Coffee doser dose adjustment selector		46	142844550	Upper grinder cover	
10	U140.004	Panelvit TCB 3,0x12 DIN 7505 B	ZNP	47	147470763	Increase screw pin cof.grind	
11	9161.048	Scraper rod		48	U201.002	10x16x0,2 DIN 988 plain washer	ZNP
12	9161.249.150	Mounting grey plate		49	226477700	Kit ital mill grinders	
13	186724100	Microswitch SAIA		50	9141.028	Support for lower grinder	
14	9161.202.150	Compensator for grounds micro		51	140360200	Felt ring 40x34x5	
15	9161.221	Spring ground. microsupport compensa		52	146570950	Ring nut for grinding adjustment	
16	286883058	General motor as.	230 V	53	128610421	Stainless stell AISI 304 sphere D=3,2 mm	
17	9141.052.150	Coffeegrinder reinforcing ring		54	126770117	Spring for coffeegrinder	
18	140328161	OR 2015	EPDM	55	149186350	Motor grinder black support	
19	140328059	OR 2015	Silicone PTFE/FDA	56	140230400	Shock abs conical grinder support	
20	9991.112	Bush for faucet		57	283550658	2 Poles JP1 connector ass. for coffeegrinder	230 Volt
21	129670202	Panelvit TCB screw 3,5x16 TESTA D=8 Z	ZNP	58	286851158	Motor ass.	230 Volt
22	U207.004	4,3X16 Plain washer UNI 6592	ZNP	59	129511803	TCB 2,9x6,4 DIN 7981 screw	NIK
23	9991.103	Antivibration for coffeegrinder		60	129931002	Torx screw TCB 3,5x48/28 SX	ZNG
24	NE05.043	Microswitch		61	128610521	Stainless steel AISI 304 sphere D=5,5	
25	9161.207.150	Support for faucet micro		62	126765517	Steel spring sphere D=5,5	
26	145895000	Teflon insert for steam tube		63	225800559	Grey brew unit + hole	
27	147571850	Black lever fixing plate + dose adjustment		64	149500800	see table 225800559 exp. code E90026 Coffee dispensing tube	
28	9161.122.150	Dose adjustment lever grey classic					
29	126765317	Steel spring boiler piston					
30	227660100	Piston as. w/groove w/seal viton					
31	9011.144	Fork for tube D.4					
32	9161.204.G	Steam faucet					
33	126764018	Spring D=1 steam tube holder					
34	140324461	OR Metric 0060-20	EPDM				
35	229381508	Steam tube	Chromed				
36	140328561	OR D=4,48 x 1,90	EPDM				
37	9161.205	Steam knob rod					